

McSYS®

ACTUATED VALVES



McSYS® Mechanical and fluid Control systems

FLANGE BALL VALVE

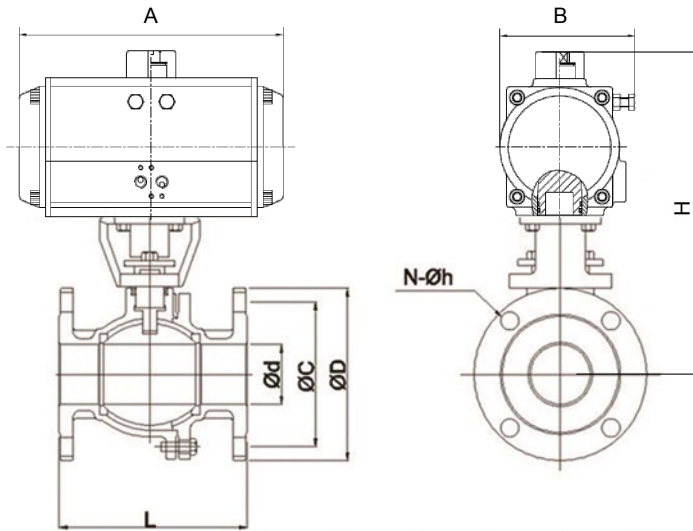


● **Features**

Fluids: Water, Steam, Gas Oil, Chemical Proess
 Construction: Side Entry Body, Floating Ball, Anti Blow Stem
 Design: API 6D/598, ANSI B V 16.10/16.25/16.34/16.5
 Seat Leakage: Class IV, V, VI

SPECIFICATION

VALVE SIZE	15A(1/2")~250A(10")		
ACTUATOR MODEL	MAC52-MAC210		
OPERATING MEDIA	COMPRESSED DRY AIR		
OPERATIONG PRESSURE	4~7Kg/cm2		
ROTATING ANGLE	90°±5°		
FLUID TEMPERATURE	-20℃~150℃		
RATING	JIS 10K(20K)(40K)		ANSI 150#(300#)(600#)
BODY MATERIAL	SCS13(SCS14, SCPH2)/BODY	SCS13(SCS14)/BALL	PTFE(RTFE, PEEK, METAL)/SEAT
ACCESSORY	SOLENOID VALVE, LIMIT SWITCH BOX, AIR REGULATOR, E/P POSITIONER, MANUAL, HANDLE		



DIMENSION

MODEL		SIZE	JIS 10K					H(max.)		A		B	
Double Acting	Single Acting	mm	L	Φd	ΦD	ΦC	n-Φh	DA	SA	DA	SA	DA	SA
MAC52D-15F	MAC52S-15F	15A	108	15	95	70	4-15	207.5	207.5	147	147	71.5	71.5
MAC52D-20F	MAC52S-20F	20A	117	20	100	75	4-15	212	212	147	147	71.5	71.5
MAC63D-25F	MAC63S-25F	25A	127	25	125	90	4-19	245.5	245.5	168	168	83	83
MAC63D-32F	MAC83S-32F	32A	140	32	125	100	4-19	250	271.3	168	204	83	103
MAC83D-40F	MAC92S-40F	40A	165	40	140	105	4-19	298.3	306	204	262	103	111
MAC83D-50F	MAC105S-50F	50A	178	50	155	120	4-19	310.3	334.5	204	268	103	121.5
MAC92D-65F	MAC125S-65F	65A	190	65	175	140	4-19	331.5	370	262	296	111	142
MAC105D-80F	MAC140S-80F	80A	203	80	185	150	8-19	402	441	268	390	121.5	152
MAC125D-100F	MAC140S-100F	100A	229	100	210	175	8-19	451	468	296	390	142	152
MAC140D-125F	MAC160S-125F	125A	356	125	250	210	8-23	564	589	390	454	152	174
MAC160D-150F	MAC190S-150F	150A	394	150	280	240	8-23	622	655	454	525	174	206
MAC190D-200F	MAC210S-200F	200A	457	200	330	290	12-23	708.5	733.5	525	532	206	228
MAC210D-250F	-	250	533	250	400	355	12-23	811.5	-	532	-	228	-

3-WAY FLANGE BALL VALVE-DOUBLE ACTING

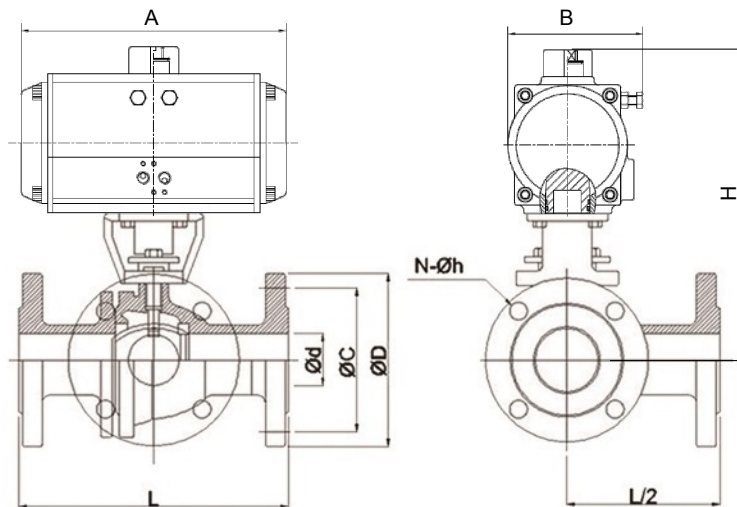
● **Features**

Fluids: Water, Steam, Gas Oil, Chemical Proess
 Construction: Side Entry Body, Floating Ball, Anti Blow Stem
 Design: API 6D/598, ANSI B V 16.10/16.25/16.34/16.5
 Seat Leakage: Class IV, V, VI
 Port : "L". "T"



SPECIFICATION

VALVE SIZE	15A(1/2")~200A(8")		
ACTUATOR MODEL	MAC63D-MAC240D		
OPERATING MEDIA	COMPRESSED DRY AIR		
OPERATIONG PRESSURE	4~7Kg/cm2		
ROTATING ANGLE	90°±5°		
FLUID TEMPERATURE	-20℃~150℃		
RATING	JIS 10K(20K)(40K)		ANSI 150#(300#)(600#)
BODY MATERIAL	SCS13(SCS14)/BODY	SCS13(SCS14)/BALL	PTFE/SEAT
ACCESSORY	SOLENOID VALVE, LIMIT SWITCH BOX, AIR REGULATOR, E/P POSITIONER, MANUAL, HANDLE		



DIMENSION

MODEL	SIZE	JIS 10K					H(max.)	A	B
		L	Φd	ΦD	ΦC	n-Φh			
Double Acting	mm								
MAC63D-15F	15A	190	15	95	70	4-15	168	83	
MAC63D-20F	20A	190	20	100	75	4-15	168	83	
MAC75D-25F	25A	200	25	125	90	4-19	184	92	
MAC75D-40F	40A	240	40	140	105	4-19	184	92	
MAC92D-50F	50A	260	50	155	120	4-19	262	111	
MAC92D-65F	65A	320	65	175	140	4-19	262	111	
MAC125D-80F	80A	360	80	185	150	8-19	296	142	
MAC140D-100F	100A	430	100	210	175	8-19	390	152	
MAC160D-125F	125A	499	125	250	210	8-23	454	174	
MAC190D-150F	150A	560	150	280	240	8-23	525	206	
MAC240D-200F	200A	660	200	330	290	12-23	610	262	

V-NOTCH BALL VALVE-DOUBLE ACTING

● Features

Integral structure of Body: Both wafer type and flanged type V-type ball valves are with integral, side-entry structure which has strong rigidity, making it hard to be deformation and leakage.

With lower and upper self-lubricated bearings: Lower and upper self-lubricated bearings are installed inside the body. So the contact surface with stem is bigger which have a high carrying capacity and low friction coefficient, that operating torque of valve is reduced.

Seat rings can be metal seats or PTFE soft seats depending on different working medium. Sealing face of metal seats will be overlaid with hard alloy, while ball surface is hardened with hard chromium plated or spraying overlay, plasma nitriding, etc, so as to increase working life of sealing faces and improve temperature resistance, PTFE or RPTFE seats have excellent sealing performance, high corrosion resistance and wide applications.

Economical practicality: Light body weight, small stem torque, so it can be installed with smaller pneumatic or electric actuators, high cost-effective compared to same size/class of other kinds of regulating valves.

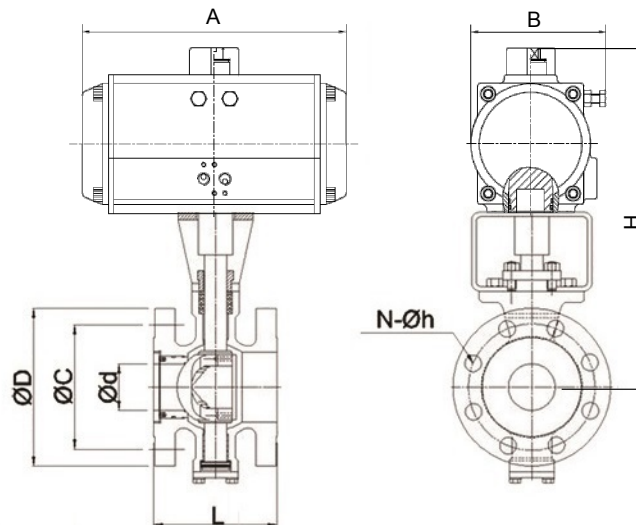
Wide applications: With the shearing action between V port and seat ring, also with smooth body internal surface, so making the medium is not easy to be kept in the body. So it is not only suitable for liquid medium, but also better for using in control system of mediums contained fibers and solid particles.

Precise control of small flow: Through special machining on the V port for small sizes, which can achieve a precise control of low CV value.



SPECIFICATION

VALVE SIZE	25A(1")~250A(10")		
ACTUATOR MODEL	MAC63-MAC240		
OPERATING MEDIA	COMPRESSED DRY AIR		
OPERATING PRESSURE	4~7Kg/cm ²		
ROTATING ANGLE	90°±5°		
FLUID TEMPERATURE	-29℃~150℃		
RATING	JIS 10K(20K)(40K)		ANSI 150#(300#)(600#)
BODY MATERIAL	SCS13(SCS14, SCPH2)/BODY	SCS13+Cr(SCS14+Cr)/BALL	304+STL(316+STL)/SEAT
ACCESSORY	SOLENOID VALVE, LIMIT SWITCH BOX, AIR REGULATOR, MANUAL HANDLE		



DIMENSION

MODEL		SIZE	ANSI 150#				H(max.)		A		B		
Double Acting	Single Acting	mm	L	Ød	ØD	ØC	n-Øh	DA	SA	DA	SA	DA	SA
MAC63D-25F	MAC83S-25F	25A	102	25	108	79.4	4-15.9	351.5	372.5	168	204	83	103
MAC75D-32F	MAC92S-32F	32A	102	32	115	88.9	4-15.9	373.5	390.5	184	262	92	111
MAC83D-40F	MAC125S-40F	40A	114	40	127	90.4	4-15.9	388.5	445	204	301	103	142
MAC92D-50F	MAC125S-50F	50A	124	50	152	120.7	4-19.1	409.5	458	262	301	111	142
MAC92D-65F	MAC125S-65F	65A	145	65	180	139.7	4-19.1	439.5	488	262	301	111	142
MAC105D-80F	MAC140S-80F	80A	165	80	191	152.4	4-19.1	486	535	268	390	122	152
MAC105D-100F	MAC140S-100F	100A	194	100	230	190.5	4-19.1	511	560	268	390	122	152
MAC125D-125F	MAC160S-125F	125A	194	125	255	215.9	8-22.2	567	609	301	458	142	174
MAC140D-150F	MAC190S-150F	150A	229	150	280	241.3	8-22.2	642	700	390	525	152	206
MAC160D-200F	MAC210S-200F	200A	243	200	340	298.5	8-22.2	727	785	458	532	174	228
MAC190D-250F	MAC240S-250F	250A	297	250	405	362	12-25.4	975	1035	525	602	206	262

BUTTERFLY VALVE

● Features

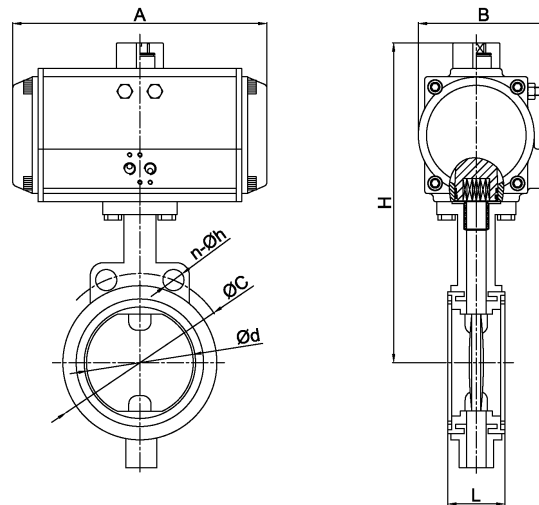
Size Range: 3/4 thru(20A~1200A), optional thru 120"
ANSI Class 150/300, JIS 10K/20K

All valves are leak tested per MSS-SP61 & API 598 standards,
and tagged per MSS-SP25 & API 609B specifications.



SPECIFICATION

VALVE SIZE	25A(1")~400A(16")		
ACTUATOR MODEL	MAC52-MAC270		
OPERATING MEDIA	COMPRESSED DRY AIR		
OPERATIONG PRESSURE	4~7Kg/cm2		
ROTATING ANGLE	90°±5°		
FLUID TEMPERATURE	-29℃~150℃		
RATING	JIS 10K(20K)(40K)		ANSI 150#(300#)(600#)
BODY MATERIAL	FCD45,WCB,STAINLESS/BODY	SCS13/DISC	EPDM/SEAT
ACCESSORY	SOLENOID VALVE,LIMIT SWITCH BOX,AIR REGULATOR,MANUAL,HANDLE		



DIMENSION

MODEL (5 bar)		SIZE	JIS 10K				H(max.)		A		B	
Double Acting	Single Acting(fall close)	mm	L	φd	φC	n-φh	DA	SA	DA	SA	DA	SA
MAC52D-40W	MAC75S(S10)-40W	40A	33	38	105	4-16	297	324.5	147	184	71.5	95
MAC63D-50W	MAC75S(S12)-50W	50A	43	51.5	120	4-19	322.5	334.5	168	184	83	95
MAC63D-65W	MAC83S(S12)-65W	65A	46	63.5	140	4-19	327.5	348.8	168	204	83	103
MAC75D-80W	MAC92S(S10)-80W	80A	46	78	150	4-19	359.5	376.5	184	262	95	111
MAC83D-100W	MAC105S(S10)-100W	100A	52	101.5	175	8-19	383.8	408	204	268	103	121.5
MAC92D-125W	MAC125S(S10)-125W	125A	56	125	210	8-22	406.5	455	262	296	111	142
MAC105D-150W	MAC140S(S10)-150W	150A	56	148	240	8-22	443	632(ADD BRAKET)	268	390	121.5	152
MAC125D-200W	MAC160S(S10)-200W	200A	60	198	290	8-22	490	682(ADD BRAKET)	296	454	142	174
MAC160D-250W	MAC190S(S10)-250W	250A	68	248	355	12-25	562	825(ADD BRAKET)	454	525	174	206
MAC160D-300W	MAC210S(S10)-300W	300A	78	298	400	12-25	622	890(ADD BRAKET)	454	532	174	228
MAC190D-350W	MAC240S(S10)-350W	350A	78	346	445	12-29	855(ADD BRAKET)	994(ADD BRAKET)	525	610	206	260
MAC190D-400W	MAC270S(S10)-400W	400A	102	395	510	16-29	735	1131(ADD BRAKET)	525	722	206	294

HIGH PERFORMANCE BUTTERFLY VALVE

● Features

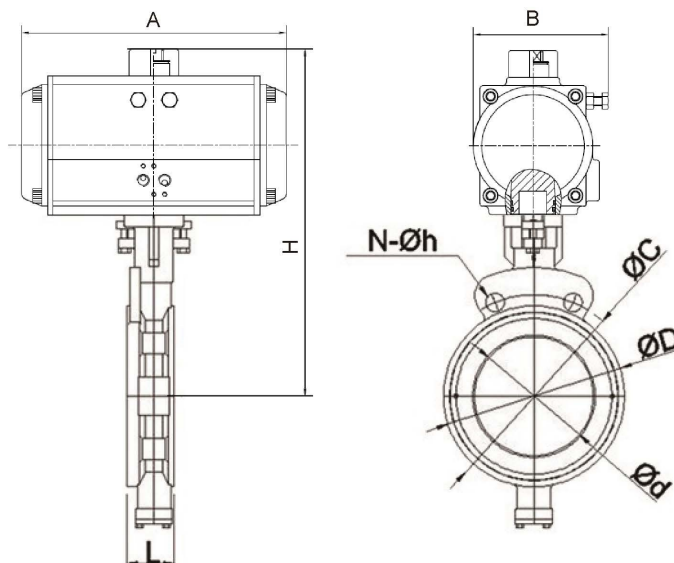
Size Range: 3/4 thru(20A~1200A), optional thru 120"
ANSI Class 150/300, JIS 10K/20K

All valves are leak tested per MSS-SP61 & API 598 standards,
and tagged per MSS-SP25 & API 609B specifications.



SPECIFICATION

VALVE SIZE	50A(2")~500A(20")		
ACTUATOR MODEL	MAC63-MAC270		
OPERATING MEDIA	COMPRESSED DRY AIR		
OPERATIONG PRESSURE	4~7Kg/cm2		
ROTATING ANGLE	90°±5°		
FLUID TEMPERATURE	-29℃~150℃		
RATING	JIS 10K(20K)(40K)		ANSI 150#(300#)(600#)
BODY MATERIAL	WCB/BODY	SCS13/DISC	RTFE/SEAT
ACCESSORY	SOLENOID VALVE, LIMIT SWITCH BOX, AIR REGULATOR, MANUAL, HANDLE		



DIMENSION

MODEL (5 bar)		SIZE	JIS 10K				H(max.)		A		B	
Double Acting	Single Acting(fail close)	mm	L	Φd	ΦC	n-Φh	DA	SA	DA	SA	DA	SA
MAC63D-50W	MAC92S(S11)-50W	50A	43	49	120.7	2-19.1	330.5	359.5	168	262	83	111
MAC75D-65W	MAC92S(S11)-65W	65A	47	62	139.7	2-19.1	363.5	380.5	184	262	95	111
MAC83D-80W	MAC105S(S10)-80W	80A	48	73	152.4	2-19.1	382.8	407	204	268	103	121.5
MAC83D-100W	MAC125S(S10)-100W	100A	54	95	190.5	2-19.1	402.8	449	204	296	103	142
MAC105D-125W	MAC140S(S10)-125W	125A	57	122	215.9	2-22.2	446	585	268	390	121.5	152
MAC125D-150W	MAC140S(S10)-150W	150A	57	141	241.3	2-22.2	488	605	296	390	142	152
MAC140D-200W	MAC160S(S10)-200W	200A	64	194	298.5	2-22.2	542	710	390	454	152	174
MAC140D-250W	MAC190S(S10)-250W	250A	72	238	362	4-25.4	617	835	390	525	152	206
MAC160D-300W	MAC210S(S11)-300W	300A	81	278	431.8	4-25.4	673	891	454	532	174	228
MAC190D-350W	MAC240S(S9)-350W	350A	92	318	476.3	4-1"-8UNC	940	1049	525	610	206	260
MAC210D-400W	MAC270S(S11)-400W	400A	102	360	539.8	4-1"-8UNC	1025		532	722	228	294
MAC240D-450W	-	450A	114	433	577.9	4-1.1/8"-8UNC	944		610		260	
MAC270D-500W	-	500A	127	470	635	4-1.1/8"-8UNC	1006		722		294	

PLASTIC BALL VALVE-DOUBLE ACTING

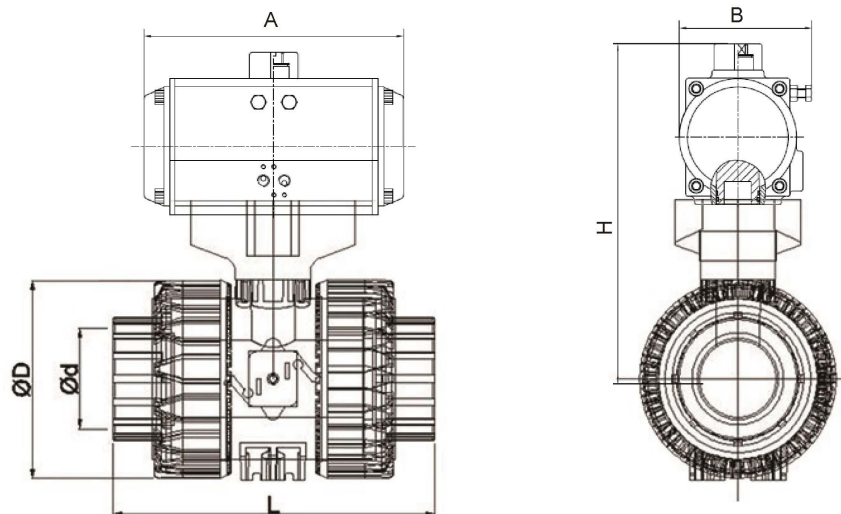
● Features

- *Connection system for weld and flanged joints
- *Patented SEAT STOP® ball carrier system that lets you micro-adjust ball seats and minimise the axial force effect.
- *Easy radial disassembly allowing quick replacement of O-rings and ball seats without any need for tools
- *PN16 True Union valve body made for PVDF injection moulding equipped with built-in bores for actuation.ISO 9393 compliant test requisites
- *Option of disassembling downstream pipes with the valve in the closed position
- *Floating full bore ball with high surface finish
- *Integrated bracket for valve anchoring
- *Ball seat carriers can be adjusted using the Easytorque adjustment kit



SPECIFICATION

VALVE SIZE	10A(3/8")~100A(4")	
ACTUATOR MODEL	MAC52D-MAC125D	
OPERATING MEDIA	COMPRESSED DRY AIR	
OPERATING PRESSURE	4~7Kg/cm ²	
ROTATING ANGLE	90°±5°	
FLUID TEMPERATURE	-10℃~90℃	
RATING	PN10	PN16
BODY MATERIAL	PVC-U,PP-H,PVDF,PVC-C	
ACCESSORY	SOLENOID VALVE,LIMIT SWITCH BOX,AIR REGULATOR	



DIMENSION

MODEL	SIZE	JIS 10K			H(max.)	A	B
		L	Φd	ΦD			
Double Acting	mm						
MAC52D-10F	10A	103	16	54		147	71.5
MAC52D-15F	15A	103	20	54		147	71.5
MAC52D-20F	20A	115	25	65		147	71.5
MAC63D-25F	25A	128	32	73		168	83
MAC63D-32F	32A	146	40	86		168	83
MAC75D-40F	40A	164	50	98		184	92
MAC75D-50F	50A	199	63	122		184	92
MAC92D-65F	65A	284	75	164		262	111
MAC92D-80F	80A	300	90	203		262	111
MAC125D-100F	100A	340	110	238		296	142

PLASTIC BUTTERFLY VALVE-DOUBLE ACTING

● Features

*Interchangeable Disk in PVDF with through shaft, available in different thermoplastic materials: PVC-U, PP-H, PVC-C, ABS

*Overall dimensions of the valve in accordance with standard ISO 5752 (DN 40 ÷ 200 Medium

Series 25, DN 250 ÷ 300 Long Series 16) and DIN 3202 K2 and ISO 5752 (DN 65 ÷ 200 K2, DN 250 ÷ 300 K3)

*Can also be installed as an end line valve, bottom discharge valve or tank dump valve

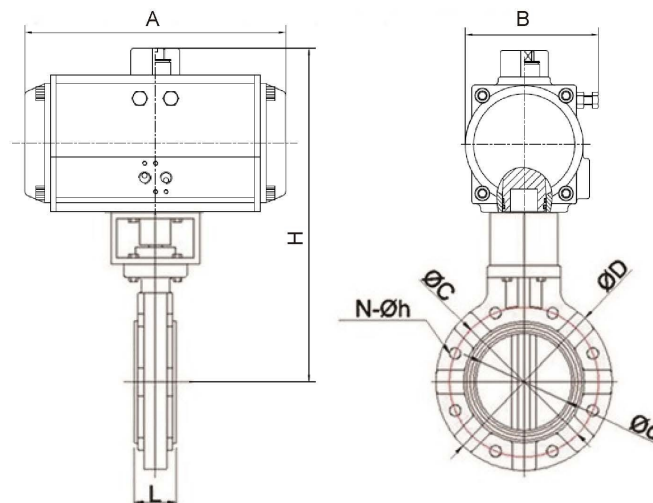
*Special Lug version PN 10 fully drilled according to DIN 2501 or ANSI B16.5 cl.150 with molded-in AISI 316 stainless steel threaded inserts

*Possibility of installing a gearbox or pneumatic and/or electric actuators by applying ISO standard drilling PP-GR flanges. DN 40 ÷ 200 valve fitted with plate with rack in PP-GR. For actuated versions with flange drilled according to ISO 5211 F05, F07, F10. DN 250 ÷ 300 valve, fitted with one-piece top flange in high mechanical strength PP-GR with mounting flange for internal components drilled according to standard ISO 5211 F10, F12, F14



SPECIFICATION

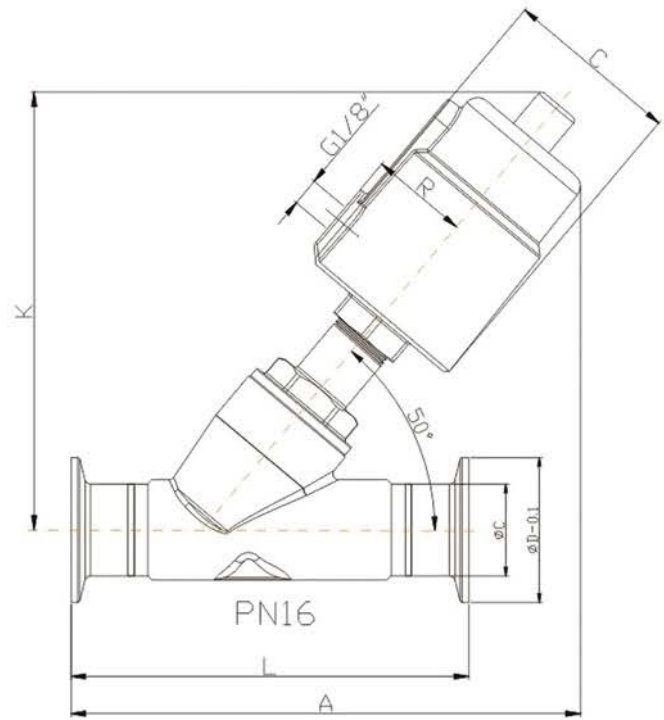
VALVE SIZE	50A(2")~400A(16")		
ACTUATOR MODEL	MAC63D-MAC190D		
OPERATING MEDIA	COMPRESSED DRY AIR		
OPERATIONG PRESSURE	4~7Kg/cm2		
ROTATING ANGLE	90°±5°		
FLUID TEMPERATURE	-10°C~90°C		
RATING	JIS 10K		ANSI 150#
BODY MATERIAL	PP, CPVC, PVDF		
ACCESSORY	SOLENOID VALVE, LIMIT SWITCH BOX, AIR REGULATOR, E/P POSITIONER		



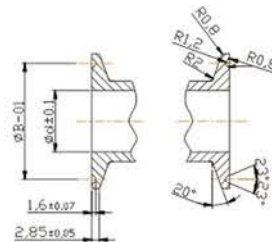
DIMENSION

MODEL	SIZE	JIS 10K					H(max.)	A	B
		L	Ød	ØD	ØC	n-Øh			
Double Acting	mm								
MAC63D-50F	50A	42	50	165	120	4-19	168	83	
MAC63D-65F	65A	46	70	185	140	4-19	168	83	
MAC75D-80F	80A	46	79	200	150	8-19	184	92	
MAC83D-100F	100A	56	103	229	175	8-19	204	103	
MAC92D-125F	125A	66	130	254	210	8-23	262	111	
MAC105D-150F	150A	73	151	285	240	8-23	268	121.5	
MAC125D-200F	200A	94	203	340	290	12-23	296	142	
MAC125D-250F	250A	111	255	406	355	12-25	196	142	
MAC140D-300F	300A	131	211	484	400	16-25	390	152	
MAC160D-350F	350A	134	348	520	445	16-25	454	174	
MAC190D-400F	400A	174	398	600	510	16-27	525	206	

ANGLE SEAT VALVE



Clamp Specification: ISO2852-1993, According to cust requirements



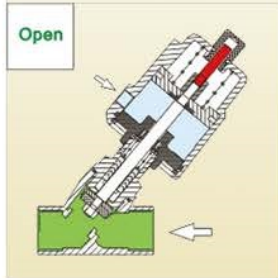
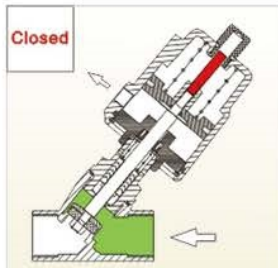
Dimension

size	actuator (mm)	ΦD	ΦB	ΦC	Φd	L	A	K
ND15	50	34	27,5	19	12	98	142	124
DN20	50	34	27,5	24	17	114	152	128
DN25	50	50,5	43,5	30	23	140	172	136
DN32	63	50,5	43,5	37	30	165	206	174
DN40	63	64	56,5	42	35	170	210	175
DN50	63	64	56,5	54	47	195	225	183

ANGLE SEAT VALVE

Single Acting, Normally Closed(NC)-Enter Above Seat

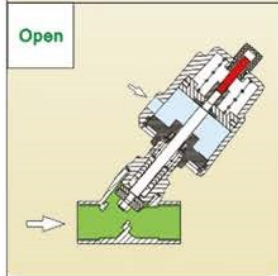
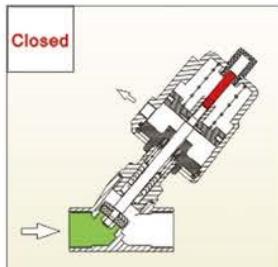
suitable for condensable media, such as air, steam and low pressure liquid media



size	Thread end	Orifice(mm)	Kv(m ³ /h)	Actuator(mm)	ΔP(MPa)	Control pressure(MPa)
DN10	G3/8"	13	3,8	40	0-1,6	1,3-0,45
				50	0-1,6	0,3-0,35
DN15	G1/2"	13	4,7	40	0-1,6	0,3-0,45
				50	0-1,6	0,3*0,35
DN20	G3/4"	18	9,5	50	0-1,6	0,3-0,4
DN25	G1"	24	18,1	50	0-1,6	0,3-0,45
				63	0-1,6	0,3-0,35
DN32	G1 1/4"	31	23,1	63	0-1,6	0,3-0,55
				90	0-1,6	0,25-0,35
DN40	G1 1/2"	35	32,9	63	0-1,6	0,3-0,65
				90	0-1,6	0,25-0,4
DN50	G2"	45	52,8	63	0-1,2	0,3-0,7
				90	0-1,6	0,25-0,45
DN65	G2 1/2"	61	82,6	90	0-1,0	0,25-0,6
				125	0-1,6	0,3-0,4
DN80	G3	80	127	125	0-1,6	0,3-0,7

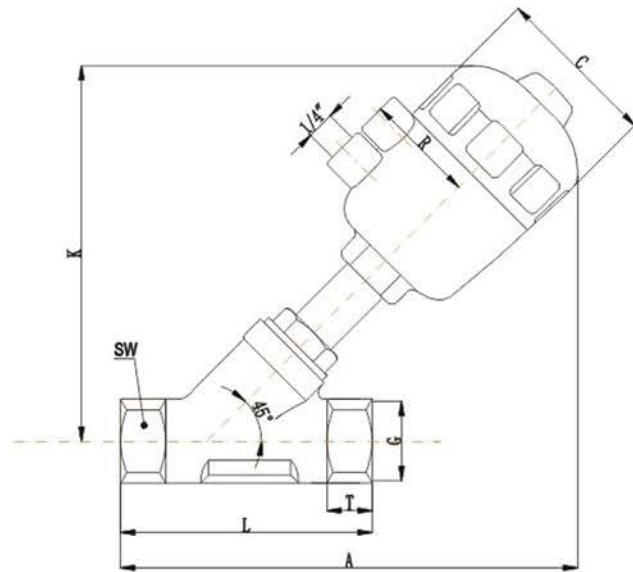
Single Acting, Normally Closed(NC)-Enter Below Seat(No Water-hammer)

Flow come from below seat, avoid water hammer



size	Thread end	Orifice(mm)	Kv(m ³ /h)	Actuator(mm)	ΔP(MPa)	Control pressure(MPa)
DN10	G3/8"	13	3,8	40	0-1,1	0,3
				50	0-1,4	0,3
DN15	G1/2"	13	4,7	40	0-1,1	0,3
				50	0-1,4	0,3
DN20	G3/4"	18	9,5	50	0-1,1	0,3
DN25	G1"	24	18,1	50	0-1,4	0,3
				63	0-1,4	0,45
DN32	G1 1/4"	31	23,1	90	0-1,6	0,5
				63	0-0,6	0,45
DN40	G1 1/2"	35	32,9	90	0-1,6	0,5
				63	0-0,5	0,45
DN50	G2"	45	52,8	90	0-1,0	0,5
DN65	G2 1/2"	61	82,6	90	0-0,7	0,5
				125	0-0,7	0,6
DN80	G3"	80	127	125	0-0,6	0,6

ANGLE SEAT VALVE



Technical Data

Fluid pressure	Max1.6MPa(232psi)
Control Pressure	0.3–0.8mpa(43.5–116psi)
Control Fluid	Naturalgas, Air
Body Material	CF8M/CF8
Seals Material	PTFE
Actuator Material	PA or pps
Actuator Size	40mm,50mm,63mm,90mm,125mm
Applicable Fluid	Water,Alcohol,Oil,Fuel,Steam,Natural gas or liquid,Organic solvent,Acid and lye
Fluid Viscosity	Max 600mm ² /s
Fluid Temperature	–10°C— +200°C
Ambient Temperature	–10°C— +80°C
Control Type	Normally closed,Normally open,Double acting
Connection	Threaded(BSPT,NPT)

Dimensions

size	Actuator	G	C	R	A	K	L	T	S
DN15	50	1/2"	64	45	168	142	75	20	28
DN20	50	3/4"	64	45	180	148	90	16	32
DN25	50	1"	64	45	190	156	102	18	39
	63	1"	80	52	219	184	102	18	39
DN32	63	1 1/4"	80	52	224	189	113	22	48
	63	1 1/2"	80	52	233	193	127	22	54
DN40	80	1 1/2"	100	62	252	213	127	22	54
	63	2"	80	52	252	207	140	28	67
DN50	80	2"	100	62	270	227	140	28	67
	80	2 1/2"	100	62	277	235	153	28	82



ANGLE SEAT VALVE

Function Principle

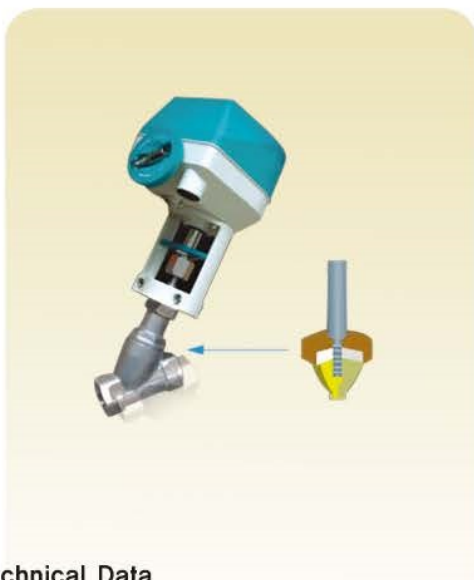
Positioner could get 4-20mA electrical signal from controller of control system, through converter to changing into air signal to control valve open and close. Under the help of adjustable seat to make accurate regulation.

Feature

Convenient adjustment, simple operation;
Strong vibration resistance, stable operation;
The unique design, build the regulating valve cone and shut, Such proportion of linear flow or relations, so as to achieve the change, Precise fast circuit-adjusting function.

Technical Data

Size	DN10~DN65
Actuator	Φ50、Φ63、Φ90
Control Power	4~20mA
Compressed Air	0.3~0.8MPa
Connection	Threaded,Welded,Flanged,Tri-clamp
Positioner	Positioner mechanical and intelligent



Function

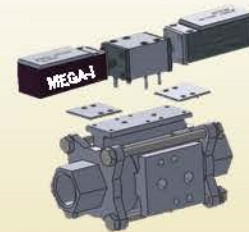
Motor control actuator works depending on 4-20mA or 0-10VDC electrical signal to control valve's open or close. Under the help of adjustable seat, motor control valve could make accurate regulation and also could make manual control.

Feature

Convenient adjustment, simple operation,
Strong vibration resistance, steady operation, easy flow
of the realization of the valve Really control.

Technical Data

Size	DN10~DN65
Voltage	220V AC
Control Power	4~20mA 0~10V DC
Connection	Threaded,Welded,Flanged,Tri-clamp
Actuator	Motor control actuator

MEGA VALVE**Function Principle**

It works depending on the internal movement of a piston supplied with air. At the end of its stroke, the piston presses on the seat seal or moves away from letting the intercepted fluid flow or stopping it from flowing. As the seat is perfectly tight and the intercepted fluid pressures discharge on it, the pressure necessary to move the piston is completely independent of the fluid pressure. Its full bore and its improved internadynamics allow minimum pressure losses, too.

Applications

- Beer & Drinks Filling Machinery
- Textile Printing & Dying
- Gas Industry
- Pharmacy & Medical Equipment
- Rubber Machinery
- Chemical industry
- Disinfection
- Frothing Equipment
- Water/sewage Disposal

Advantages

MEGA VALVE

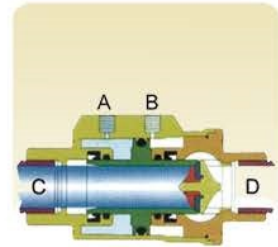
Technical Data

Fluid Pressure	Max 1.0MPa(145psi)
Control pressure	0.3-0.8MPa(43.5-116psi)
Control Fluid	Neutragas,Air
Body Material	CF8M/CF8
Seals Material	EPDM/FKM(VITON)
Applicable Fluid	FKM-Suitable for most fluid,except for steam. EPDM-Suitable for steam and hot water,unsuit able for oils,greases,fuels etc.
Fluid Temperature	-20°C-+150°C
Ambient Temperature	-20°C-+80°C
Control Type	Normally closed,Normally open, Double acting
Connection	Threaded(BSP,NPT)

Open/Close

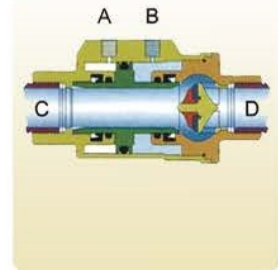
CLOSED VALVE

Supplying the hole "A" with air(the hole "B" must be discharging)at the end of its stroke the piston presses on the seat seal:the valve is closed.
As in spring return N.C.executions the spring is in "A", if there is no control, the piston will touch the seat seal, therefore, the preferable position is the closed one.

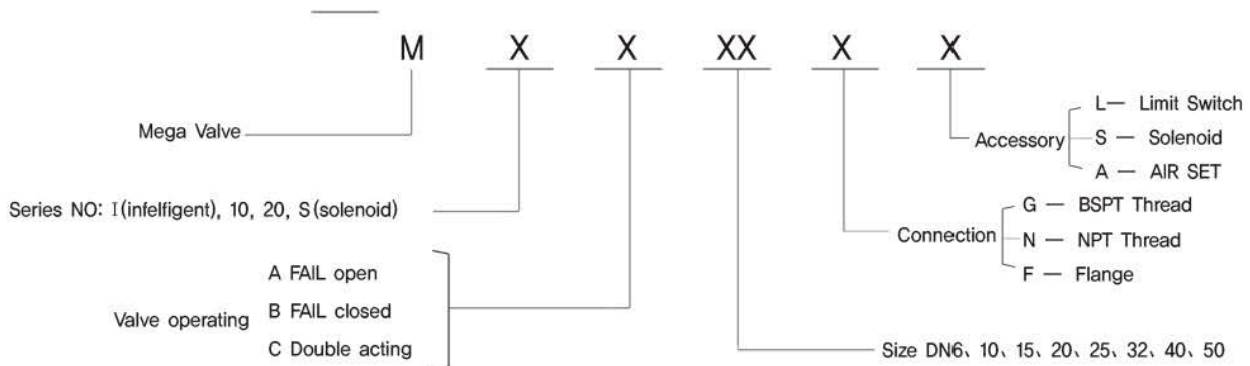


OPENED VALVE

Supplying the hole "B" with air(the hole "A" must be discharging)at the end of its stroke the piston is at maximum distance from the seat seal:the valve is open.
As in spring Return N.O.executions the spring is in "B", if there is no control, the piston will be away from the seat seal, therefore, the preferable position is the open one.



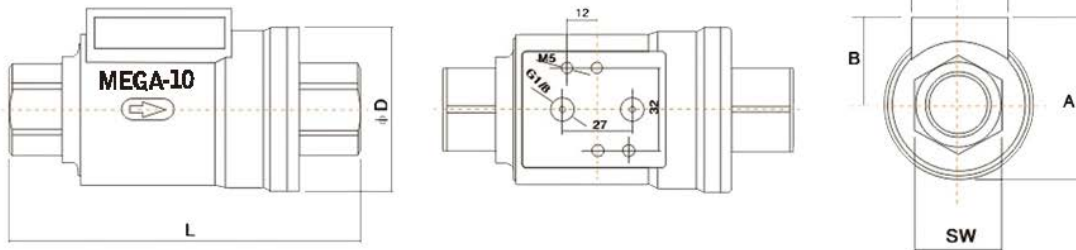
Order Instruction



Example: M20 B20 GLSA: DN20 FAIL CLOSE BSPT Thread Limit Switch, Solenoid, AIRSET

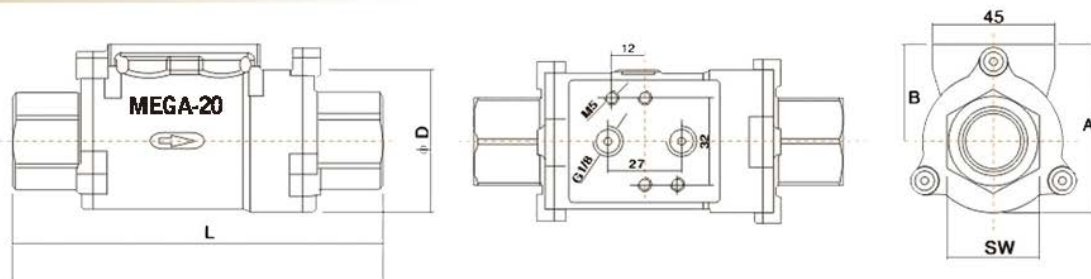
MEGA VALVE

200 Dimension for 10 Series



size	DN10	DN15	DN20	DN25	DN32	DN40	DN50
Thread End	3/8"	1/2"	3/4"	1"	1 1/4"	1 1/2"	2"
A(mm)	54	59	70	76	92	102	114
D(mm)	46	52	64	69	86	96	108
SW(mm)	22	26,5	32	41	50	56	70
B(mm)	31	33	38	41	49	54	60
L(mm)	98	112	135	143	165	180	207
(kg)	0,80	1,00	1,50	1,92	3,06	3,76	5,71

201 Dimension for 201 Series



size	DN6	DN10	DN15	DN20	DN25	DN32	DN40	DN50
Thread End	1/4"	3/8"	1/2"	3/4"	1"	1 1/4"	1 1/2"	2"
A(mm)	47,5	47,5	51,3	61,5	68	83,5	93	107
D(mm)	37	37	42,5	52	60	75	84	97
SW(mm)	22	22	26	32	40	49	53	68
B(mm)	29	29	30	35,5	38	46	51	58
L(mm)	98	98	112	135	143	165	180	207
(kg)	0,54	0,54	0,67	1,05	1,45	2,32	2,82	4,38



MeSYS[®] *Mechanical and fluid Control systems*

Tel: +82-31-319-6560

Fax: +82-31-80413410

Web: www.j-mcsys.com

E-mail: enquiry@j-mcsys.com